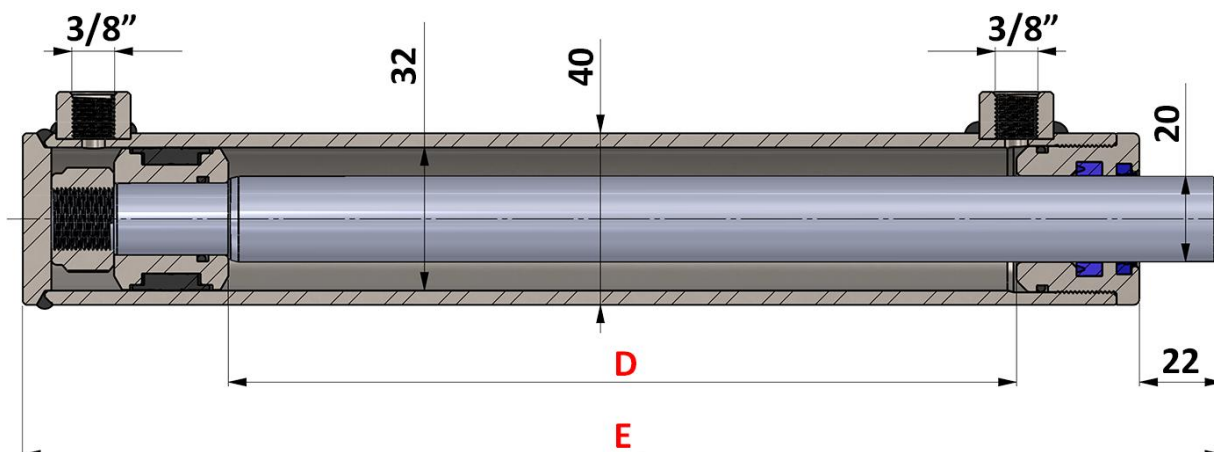


TEHNIČNI LIST – DIMENZIJE HIDRAVLIČNI CILINDRI STANDARD 32/20-xxx



	STANDARD	E	D (hod)
Šifra	32/20-xxx	[mm]	
11158	32/20-050	180	50
10760	32/20-100	230	100
10761	32/20-150	280	150
10762	32/20-200	330	200
10763	32/20-250	380	250
10764	32/20-300	430	300
10765	32/20-350	480	350
10766	32/20-400	530	400
10767	32/20-450	580	450
10768	32/20-500	630	500
12234	32/20-550	680	550
12235	32/20-600	730	600
12236	32/20-700	830	700
12237	32/20-800	930	800
12238	32/20-900	1030	900
12239	32/20-1000	1130	1000